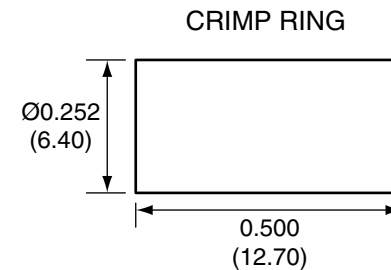
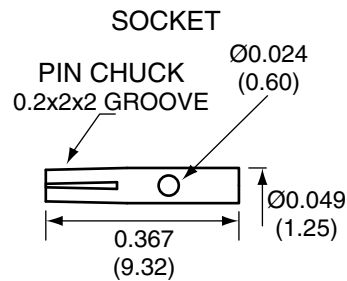
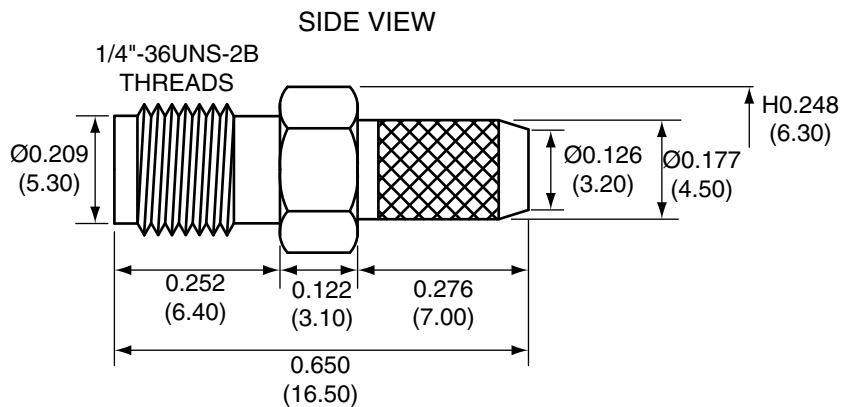
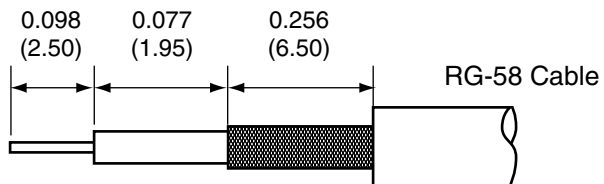


1		
Description	Material	Finish
Body	Brass	Nickel
Socket	BE CU	Gold
Insulation	Teflon	Teflon
Crimp Ring	Brass	Nickel



RECOMMENDED CABLE STRIPPING DIMENSIONS



CON SMA011-R58 ASSEMBLY INSTRUCTIONS

1. Solder the socket to the center conductor.
2. Insert the socket, center conductor, and insulator into the body.
3. Wrap the braid around the tail of the body and crimp the ring with a hex crimp tool.

Title		CONSMACITY	
SMA FEMALE CABLE END CRIMP FOR RG58 CABLE		159 ORT LANE MERLIN, OR 97532 PH (541)-471-6256 FAX (541)-471-6251	
Part No.	CONSMAC011-R58	Revision:	1.0
Dimensions:	INCHES (mm)	Date:	6/2/2006
		Sheet 1 of 1	

CONNECTOR CITY
THE VALUE OF CONNECTIONS